

Drive Belt Replacement

1. Remove the motor as described on Page 3-1.
2. Remove the three screws "F", Figure 3.3, insert into the adjacent tapped holes and withdraw bearing housing "G".
3. Remove the two screws and the bushings "H".
4. Remove four screws "I" and one screw "J".
5. Remove four screws securing speed changer "K".
6. Remove top housing "L". Tap to clear the dowels.
7. Replace the belt.

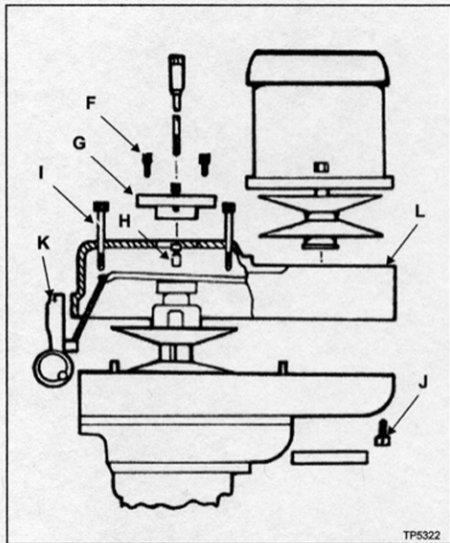


Figure 3.3 - Drive Belt Replacement