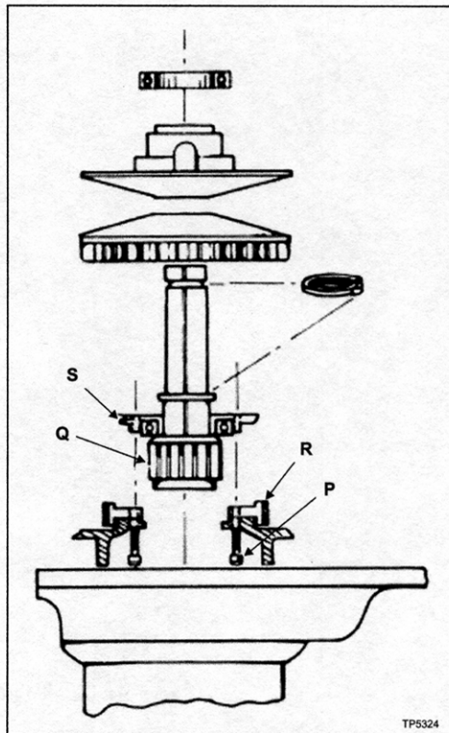


Brake Shoe Replacement

1. Remove the top section.
2. Remove the two screws "P", Figure 3.5.
3. Remove the clutch hub assembly "Q".
4. Replace the brake shoes "R".
5. Remove the bearing, drive discs and circlips from the hub assembly "Q".
6. Replace the bearing and housing "S".
7. Thread hub "B" through the bearing and reassemble the discs, etc.



TP5324

Figure 3.5 - Brake Shoe Replacement